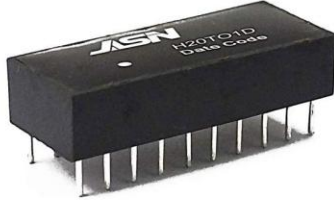


100M Signal Transformer



JASN is a leading Signal Transformer manufacturer that integrates Research, Development, Manufacturing and Sales. H20T01D is a standard size of DIP 20Pin Series and can provide 100M Signal Transformer speed rate.

Model:H20T01D

With years of experience in production 100M Signal Transformer, JASN can supply a wide range of 100M Signal Transformer. High quality 100M Signal Transformer can meet many applications, if you need, please get our online timely service about 100M Signal Transformer. In addition to the product list below, you can also customize your own unique 100M Signal Transformer according to your specific needs.

Feature

Compliant with IEEE 802.3u standard.

Comply with RoHS requirements.

Operating temperature range: 0°C to +70°C.

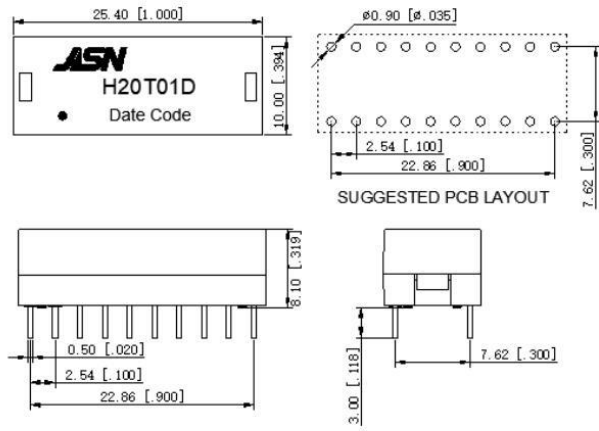
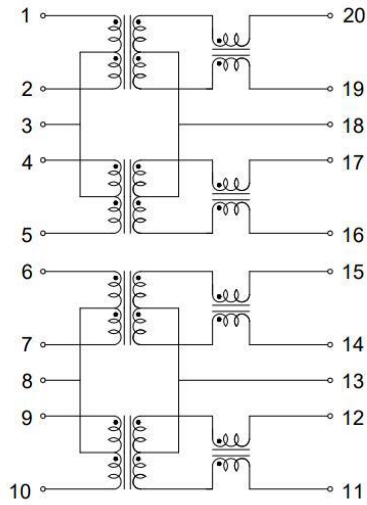
Storage temperature range: -25°C to +105°C.

Electrical Specifications @ 25°C

OCL:	350uH Min. @100KHz/0.1V with 8mA DC Bias				
Hi-POT :	1500Vrms				
Turn Ratio:	1:1±3%				
LK:	0.5uH Max @100KHz/0.2V				
Cw/w	65PF Max @100KHz/0.2V				
D.C.R:	1.2 ohm Max				
Insertion Loss:	1-100MHz: -1.0dB Max				
Cross Talk :	1-100MHz: -30dB Min				
Return Loss:	1-30MHz	40MHz	50MHz	60-80MHZ	80-100MHZ
	-18dB Min	-14.4dB Min	-13.1dB Min	-12dB Min	-10dB Min

Schematic

Mechanical



Unless otherwise specified, all tolerances are ± 0.25