



### 10GBase-T Lan Transformer

You can buy JASN factory price 10GBase-T Lan Transformer from a reliable China Lan Transformer manufacturer JASN. PN T24P02S is Rohs compliant and has different pin layout option.

Model:T24P02S

JASN is one of the famous China 10GBase-T Lan Transformer manufacturers and suppliers. Our factory specializes in manufacturing of Lan Transformer.

### Feature

10G BASE-T Ethernet Magnetics

Comply with RoHS requirements.

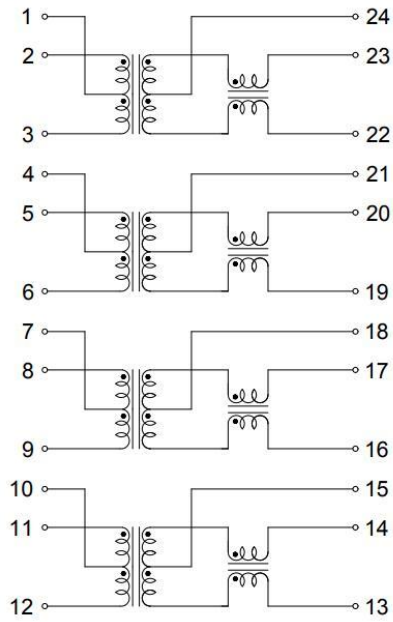
Operating temperature range: 0°C to +70°C.

Storage temperature range: -20°C to +125°C.

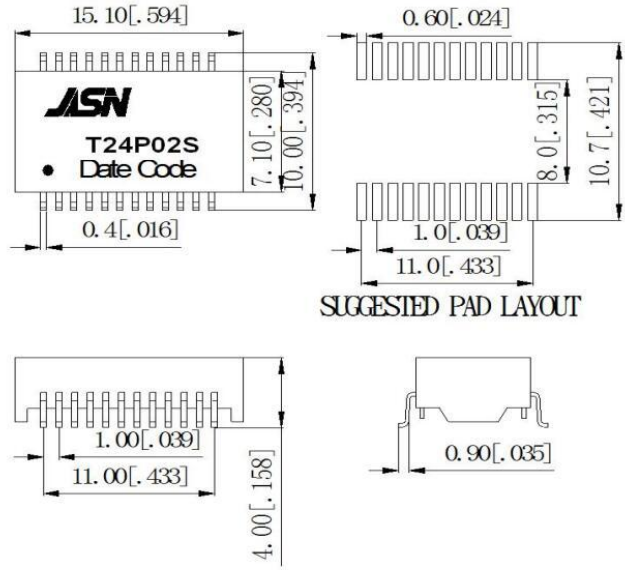
### Electrical Specifications @ 25°C

OCL:	120uH Min. @100KHz/0.1V			
Hi-POT :	1500Vrms			
Turn Ratio:	1:1±3%			
LK:	0.5uH Max @100KHz/0.2V			
Cw/w	18PF Max @100KHz/0.2V			
D.C.R:	0.6 ohm Max			
Insertion Loss:	1-200MHz	200-400MHz	400-500MHz	
	-1dB Max	-2dB Max	-3dB Max	
Cross Talk :	1-500MHz: -30dB Min			
Return Loss:	1-200MHz	200-300MHz	300-400MHz	400-500MHz
	-16dB Min	-14dB Min	-11dB Min	-9dB Min

Schematic



Mechanical



Unless otherwise specified, all tolerances are  $\pm 0.25$